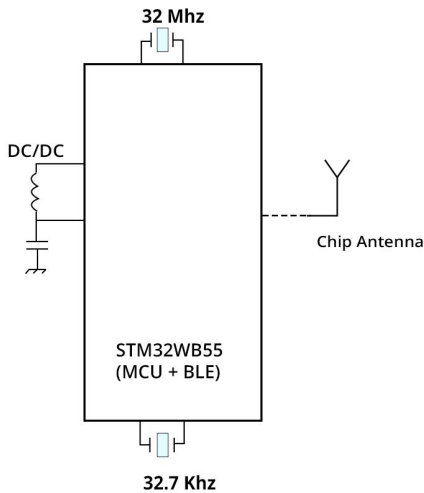


Sharkypro

The Sharkypro is an IoT module based on the ST Microelectronics STM32WB55CEU6 system on chip, a highly integrated low power radio design with two core in a single SoC. There are an ARM Cortex-M4 32-bit microprocessor to run your application and one ARM Cortex-M0+ 32-bit microprocessor running the radio networking Stack. The Sharkypro supports BLE, Thread, Zig Bee and generic IEEE 802.15.4 protocol stacks.

The module is offered in two version :

- Chip Antenna size 14.6 x 23 mm
- Without antenna size 14.6 x 14.6 mm



SPECIFICATION

Supply Voltage :	3,3V
Receiver Sensitivity	-96 dBm
Output Power	0 to 6 dBm
Working Temperature	-40°C to 85°C
Consumption	
Standby	600 nA
Shutdown mode	13 nA
Transmitting	9.5 mA @ 0dBm
Receiving	4.5 mA

MAIN FEATURES

1. Module with two type of size
2. 2.4 GHz – RF transceiver supporting Bluetooth® specification v5.0 and IEEE 802.15.4-2011 PHY and MAC
3. Consume 13 nA in shutdown mode
4. Consume 600 nA in Standby mode + RTC + 32 KB RAM
5. Secure & ID

ORDERING INFORMATION

Part Number:	Description:
MDX-STWBC-R01	Sharkypro with chip antenna v.1
MDX-STWBW-R01	Sharkypro without antenna v.1



For more information please visit

<http://midatronics.com/Modules/Sharkypro>

QUICK SPECIFICATION

- Supply Voltage : 3.3V .1
- Interface : USART / ADC / SPI / I2C / QSPI .2
- Dimensions : 14.6 x 23 mm or 14.6 x 14.6 mm .3
- Working temperature -40 °C to 85 °C .4
- RX Sensitivity -96 dBm .5

