

Sigfox Button

The MDX-SB01 is an IoT (Internet of Things) handheld wireless notification button. This battery powered electronic device that can be useful to signal events to a cloud server and then to a person or organization. The wireless transmission uses the Sigfox network.



SPECIFICATION

Supply Voltage :	3 V (2 x AAA 1.5 V Lithium 1000mAh)
Receiver Sensitivity	-130 dBm
Connectivity	Sigfox
Battery duration	>3 years
Working Temperature	-40°C to 85°C

MAIN FEATURES

1. A pushbutton with one or two button presses
2. RGB led for user feedback
3. Max communication distance up to 2 Km
4. Battery duration: more of 3 years with 4 messages a day
5. Certification included: CE

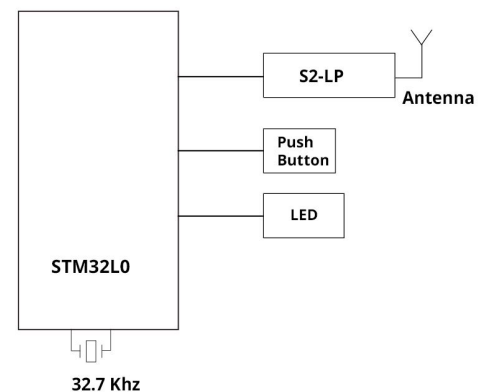
QUICK SPECIFICATION

1. Supply Voltage : 2 x AAA 1.5 V Lithium 1000mAh
2. Interface : button
3. Dimensions : 81 x 37 x 18 mm
4. ETSI, RoHS Certification

ORDERING INFORMATION

Part Number:	Description:
MDX-SB01-P1	SigFox Button version 01

BLOCK DIAGRAM



For more information please visit
[http://midatronics.com/
 Encapsulated_products/Push_Button](http://midatronics.com/Encapsulated_products/Push_Button)

