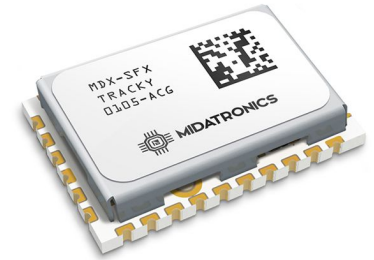


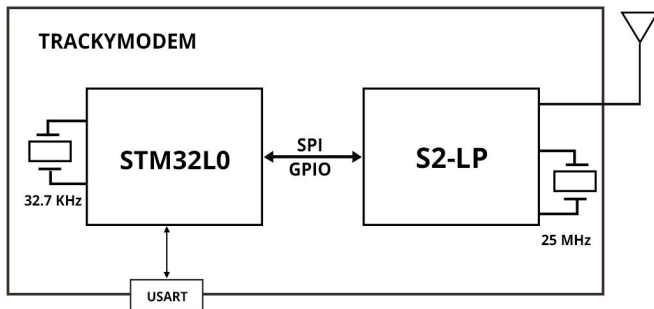
## Tracky Modem Module

The Tracky modem module is an IoT Sigfox Certified communication module based on ST Microelectronics STM32L0 MCU and S2-LP high performance ultra-low power RF transceiver, intended for RF wireless applications in the sub-1 GHz band. The module is designed to operate in both the license-free ISM and SRD frequency bands at 433, 512, 868 and 920 MHz.



The Sigfox protocol stacks is loaded on the STM32L0 low power MCU based on Cortex M0+ core.

### BLOCK DIAGRAM



### SPECIFICATION

Supply Voltage :	1.8 to 3.6 V
Receiver Sensitivity	-130 dBm
Output Power	up to +16 dBm
Working Temperature	-40 °C to 85 °C
<b>Consumption</b>	
Low Power Mode	1 µA
Run mode	2 mA
Transmitting	10 mA TX @ +10 dBm

### MAIN FEATURES

1. Sub-1 GHz transceiver supporting Sigfox protocol
2. Ultra Low Power Platform
3. Power Consumption in Low Power Mode: 1 µA
4. Power Consumption in Run mode: 2 mA

### QUICK SPECIFICATION

1. Excellent receiver selectivity (> 80 dB @ 2 MHz)
2. Excellent performance of receiver sensitivity: down to -130 dBm
3. Programmable RF output power up to +16 dBm
4. Operating temperature range: -40 °C to +85 °C
5. Dimensions: 17.5x12 mm
6. Interface: UART
7. Supply Voltage: 1.8 to 3.6 V



For more information please visit

<http://midatronics.com/Modules/TrackyModem>

### ORDERING INFORMATION

Part Number:	Description:
MDX-SFXM1-01	Tracky Modem Module