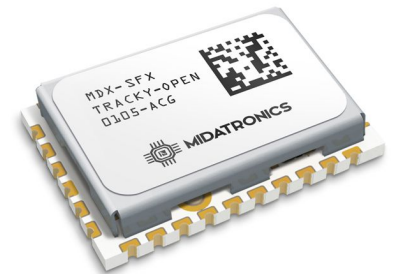


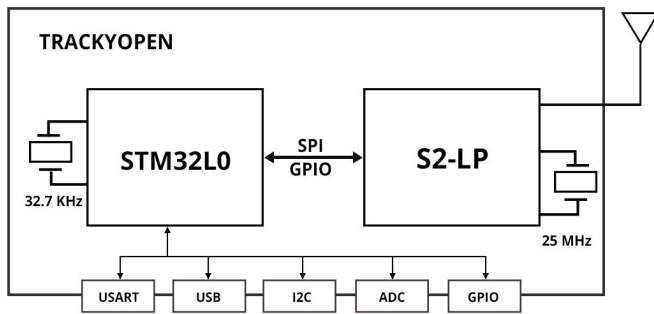
Tracky Open Module

The Tracky Open module is an IoT Sigfox communication module based on ST Microelectronics STM32L0 MCU and S2-LP high performance ultra-low power RF transceiver, intended for RF wireless applications in the sub-1 GHz band. The module is designed to operate in both the license-free ISM and SRD frequency bands at 433, 512, 868 and 920 MHz.



The STM32L072KZ low power MCU based on ARM Cortex M0+ core can host application firmware together with the Sigfox Protocol Stack.

BLOCK DIAGRAM



SPECIFICATION

Supply Voltage :	1.8 to 3.6 V
Receiver Sensitivity	-130 dBm
Output Power	up to +16 dBm
Working Temperature	-40 °C to 85 °C
Consumption	
Low Power Mode	1 µA
Run mode	2 mA
Transmitting	10 mA TX @ +10 dBm

MAIN FEATURES

1. Sub-1 GHz transceiver supporting Sigfox protocol
2. Ultra Low Power Platform
3. Power Consumption in Low Power Mode: 1 µA
4. Power Consumption in Run mode: 2 mA
5. Cortex M0+ core @ 32 MHz, 192 kB Flash/20 kB Ram/6kB EEPROM, USB, ADC, DACs
6. Open module: the Cortex M0+ processor can host customer application firmware together with the Sigfox Protocol Stack.

QUICK SPECIFICATION

1. Excellent receiver selectivity (> 80 dB @ 2 MHz)
2. Excellent performance of receiver sensitivity: down to -130 dBm
3. Programmable RF output power up to +16 dBm
4. Operating temperature range: -40 °C to +85 °C
5. Dimensions: 17 x 11.5 mm
6. Interface: USART, USB, I2C, ADC, GPIO
7. Supply Voltage: 1.8 to 3.6 V

For more information please visit

<http://midatronics.com/Modules/TrackyOpen>



ORDERING INFORMATION

Part Number:	Description:
MDX-SFXO-01	Tracky Open Module